

NEW M-20iB/25C

Fast, clean and fully enclosed



SLIM ARM
FOR MORE FLEXIBILITY



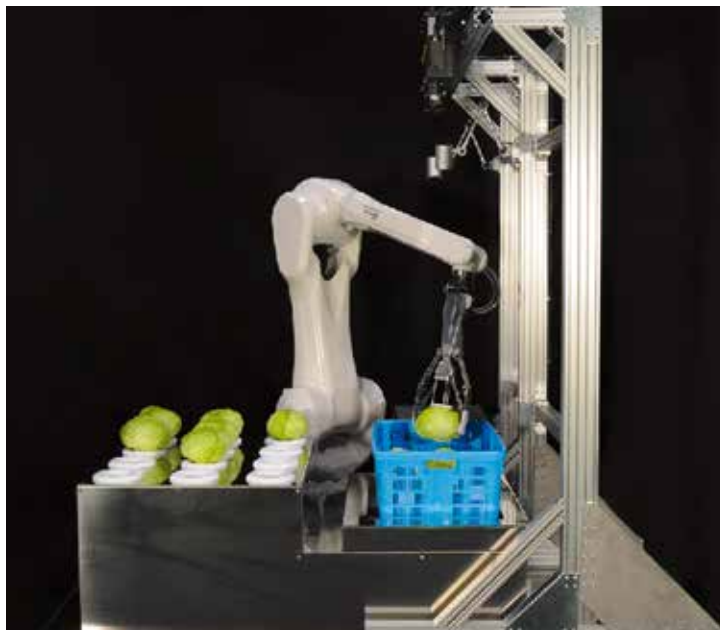
USER INTERFACE
INTEGRATED IN THE ARM



APT TO BE WASHED
(IP67)



ENCLOSED CONSTRUCTION
NO EXPOSED CABLES
OR MOTORS



Flexibility whatever the environment:

- 25 kg payload capacity
- fully enclosed
- IP67 protection
- equipped with food grade lubricant by default (J1-J6)
- resistant against cleaning agents
- clean room class ISO 5
- wrist with advanced servo technology
- increased cycles and throughput

M-20iB/25C



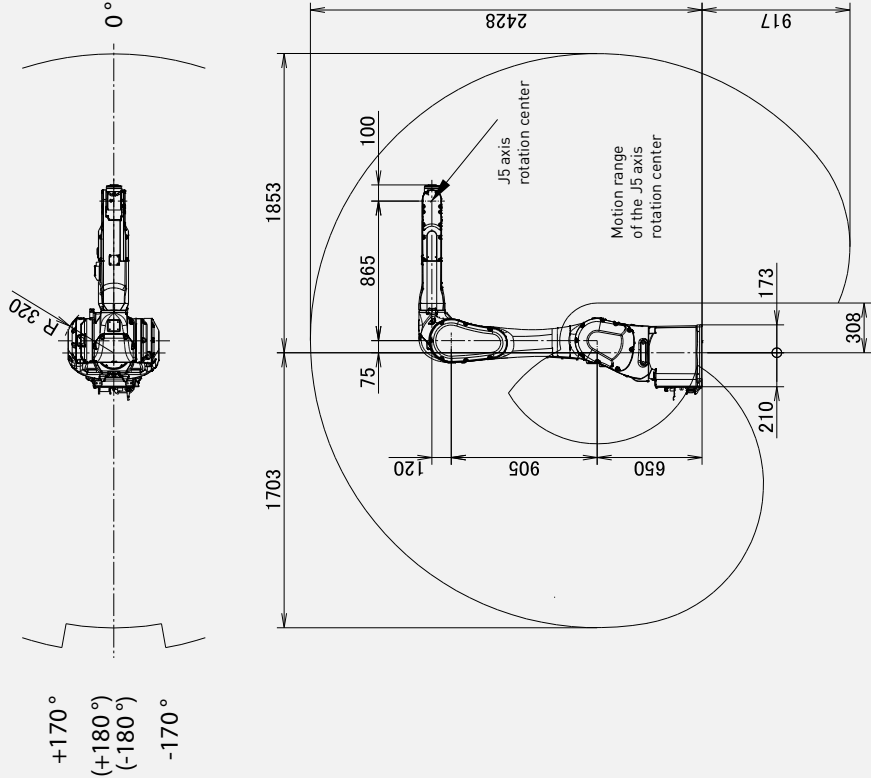
Max. load capacity
at wrist: **25 kg**



Max. reach:
1853 mm

Controlled axes	Pose Repeatability (mm)	Mechanical weight (kg)	Motion range [°]						Maximum speed [°/s]						J4 Moment/Inertia (Nm/kgm ²)	J5 Moment/Inertia (Nm/kgm ²)	J6 Moment/Inertia (Nm/kgm ²)
			J1	J2	J3	J4	J5	J6	J1	J2	J3	J4	J5	J6			
6	± 0.023*	210	340(360)	240	303	400	290	540	205	205	260	415	415	880	51/2.2	51/2.2	31/1.2

Working range



Robot

- Robot footprint [mm] **M-20iB/25C**
383 x 343
- Mounting position Floor
- Mounting position Upside down
- Mounting position Angle

Controller

- Open air cabinet
- Mate cabinet
- A-cabinet
- B-cabinet
- iPendant Touch

Electrical connections

- Voltage 50/60Hz 3phase [V] 380-575
- Voltage 50/60Hz 1phase [V] -
- Average power consumption [kW] 1

Integrated services

- Integrated signals on upper arm In/Out 8/2
- Integrated air supply 1

Environment

- Acoustic noise level [dB] < 70
- Ambient temperature [° C] 0-45

Protection

- Body standard/optional IP67
- Wrist & J3 arm standard/optional IP67

Air Cleanliness Class

- Clean room class in accordance to ISO 14644-1 ISO class 5